

moviroll

PNEUMATIC ROLL PUSHERS



MORE PRODUCTIVITY, HIGHER SAFETY LEVEL

Moviroll roll pushers improve the productivity and increase the safety level as they allow the operator to effortlessly and safely maneuver both large and small cylindrical loads. Moviroll reduces risks for the operator according to the Technical Standards ISO 11228 "Ergonomics Manual handling".

They are ideal to move paper, tissue rolls and vehicles, but they are also used to move loads in several other industrial applications.

Pneumatic roll pushers use the power of a high quality pneumatic gear motor powered by pressurized and lubricated air at 6 bar. Pneumatic models are designed to offer the highest performances and to keep them unchanged over time.

STURDY DESIGN

compact, handy and heavy duty

VARIABLE SPEED

to suit any operator needs

HANDLE CONFIGURATIONS

available with straight handle or "S" curved rotatable handle

SAFE ACTIVATION OF ROLLERS

only when the load is applied

POWERFUL MOTOR

fueled by pressurized and lubricated air at 6 bar

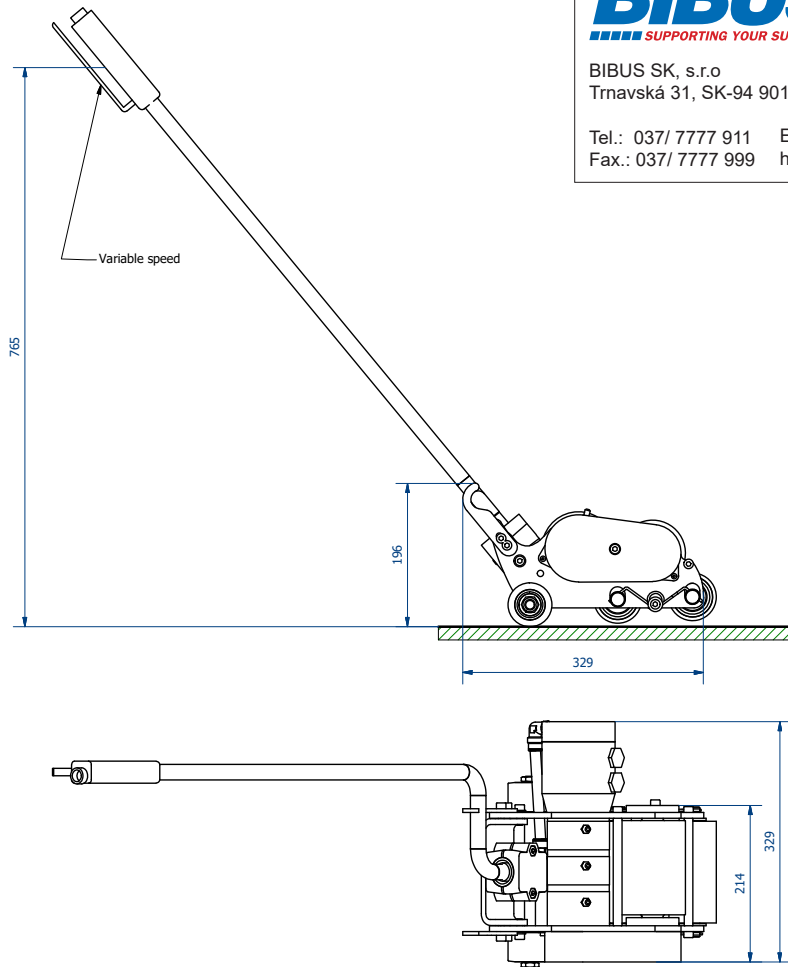
ACCESSORY - AIR SUPPLY KIT

it is inclusive of spiral pipe, pipe fitting and lubricator filter

MR / MR H

MR is the standard pneumatic model for any type of paper reel. A proper maintenance of the engine with lubricating oil guarantees its correct conservation and performances over time.

Twin to the standard version, MRH engine doesn't need lubricating oil. This means sustaining the same performances with inferior consumptions and maintenance costs.



BIBUS®
 SUPPORTING YOUR SUCCESS

BIBUS SK, s.r.o
 Trnavská 31, SK-94 901 Nitra

Tel.: 037/ 7777 911 Email: sale@bibus.sk
 Fax.: 037/ 7777 999 http://www.bibus.sk

| model | thrust force | | lift force | max rolls diameter | max speed | air pressure | air consumption | unit weight |
|---------------------|--------------|----------|------------|--------------------|-----------|--------------|-----------------|-------------|
| | paper | vehicles | | | | | | |
| MR100 MR100 S | 10000 kg | 15000 kg | 2500 kg | 2600 mm | 24m/min | 6-7 bar | 28 l/sec | 24 kg |
| MR200 MR200 S | 20000 kg | 20000 kg | 5000 kg | 2600 mm | 20m/min | 6-7 bar | 40 l/sec | 24 kg |
| MR100 H MR100 SH | 10000 kg | 15000 kg | 2500 kg | 2600 mm | 20m/min | 6-7 bar | 22 l/sec | 20 kg |
| MR200 H MR200 SH | 20000 kg | 20000 kg | 5000 kg | 2600 mm | 18m/min | 6-7 bar | 34 l/sec | 21,5 kg |