

# **moviroll**

## BATTERY ROLL PUSHERS



### **MORE PRODUCTIVITY, HIGHER SAFETY LEVEL**

Moviroll roll pushers improve the productivity and increase the safety level as they allow the operator to effortlessly and safely maneuver both large and small cylindrical loads. Moviroll reduces risks for the operator according to the Technical Standards ISO 11228 "Ergonomics Manual handling".

They are ideal to move paper and cardboard rolls, but they are also used to move loads in several other industrial applications.

Battery roll pushers offer the advantage of free movement without the constraints of the pneumatic connections or electrical cables. They are powered by high performance and plug&play 24 V or 48 V lithium battery.

### **VARIABLE SPEED**

to suit any operator needs

### **CHARGE STATUS INDICATOR**

easily see when the battery needs to be recharged

### **OVERSIZED WHEELS**

to easily overcome any obstacles along the way

### **CUT FRAMES**

for an easy removal of the roller and roller bearings

### **PLUG&PLAY BATTERY**

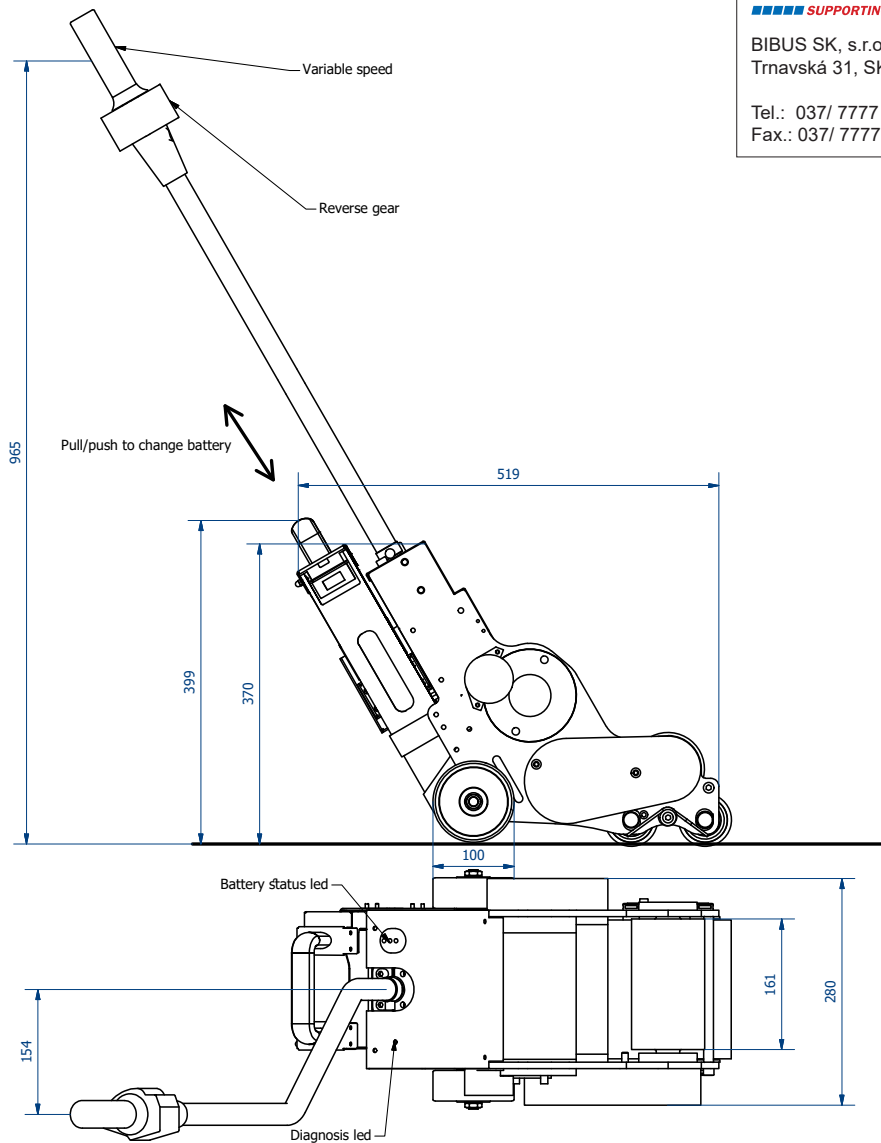
the plug&play eco-friendly lithium battery allows one-handed changes in less than 10 seconds

### **2 YEAR WARRANTY**

the only product in its category with a 2-year warranty on both the motor and the battery

# MRE

MRE allows the operator to move rolls on a flat surface and place them on the shuttle cart. Available with straight handle or curved handle 'S'.



**BIBUS®**  
SUPPORTING YOUR SUCCESS

BIBUS SK, s.r.o  
Trnavská 31, SK-94 901 Nitra

Tel.: 037/ 7777 911 Email: sale@bibus.sk  
Fax.: 037/ 7777 999 http://www.bibus.sk

model	thrust force	lift force	max rolls diameter	motor	battery	max speed	unit weight
MRE 100 MRE 100 S	12000 kg	3000 kg	2100 mm	24VDCIP44	lithium 24 V	13 m/min	45 kg
MRE 200 MRE 200 S	16000 kg	4000 kg	2100 mm	24VDCIP44	lithium 24 V	10 m/min	45 kg
MRE 300 MRE 300 S	20000 kg	5000 kg	2100 mm	24VDCIP44	lithium 24 V	8 m/min	45 kg

renova srl  
registered office : via palmanova 24, 20132 milano - italy  
operational hq: viale rimembranze 93, 20099 sesto s. g., milano  
VAT IT03758670965 | REA MI-1699970 | share capital. €10.000,00

- italy

www.renova-srl.com  
support@renova-srl.com  
info@renova-srl.com  
t. +39 02 27007394

