

movicart

BATTERY CART MOVERS



MORE PRODUCTIVITY, HIGHER SAFETY LEVEL

Movicart is a compact and handy system designed to safely push or pull your existing carts – both on wheels and rails – without any efforts for the operator, according to the Technical Standards ISO 11228 “Ergonomics Manual handling”.

Thanks to its mechanical system and the different cart gripper configurations, it is possible to move carts of different sizes and with different heights and weights, improving safety in the plant, but also saving time for other activities, thus increasing the productivity.

Handy and heavy-duty, it is able to move carts up to 5 tons (11000 lb). It is a convenient alternative to forklifts or transpallets as it can be used without a license and can operate in narrow spaces and where forklifts are not allowed.

CONTROL PANEL

studied to put every driving command at the operator’s fingertips

DIFFERENT CONFIGURATIONS

thanks to its various configurations, movicart can move carts of different sizes, heights, and weights.

PLUG&PLAY BATTERY

the plug&play eco-friendly lithium battery allows one-handed changes in less than 10 seconds

ANTI-CRUSHING SYSTEM

safety precaution that will reverse direction from backward to forward if Movicart hits the operator

OMNIDIRECTIONAL WHEELS

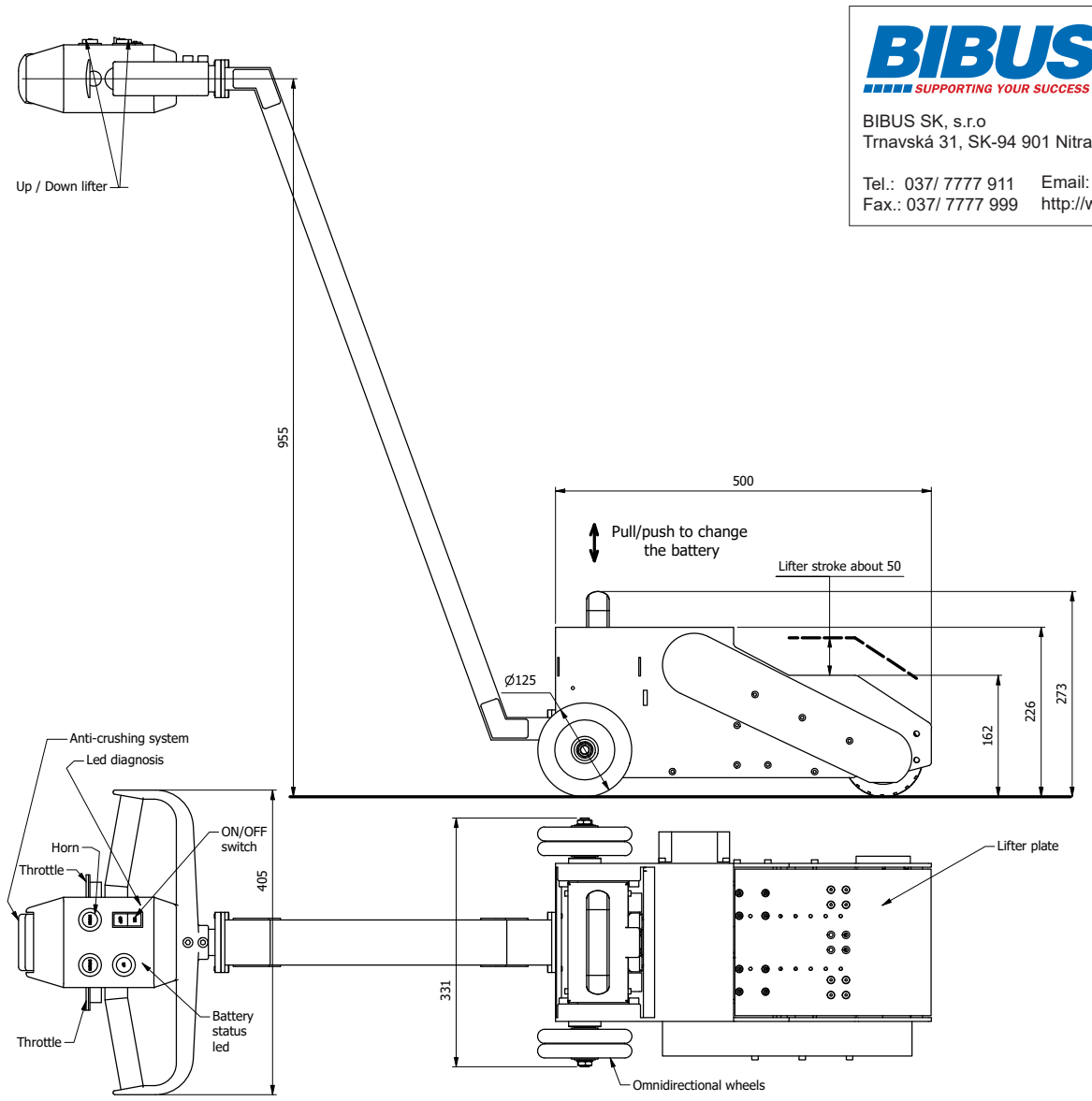
designed to effortlessly change cart direction, for smoother maneuvering

2 YEAR WARRANTY

the only product in its category with a 2-year warranty on both the motor and the battery

MCE

Movicart is designed to effortlessly move any cart, on wheels or on rails.
Thanks to its various configurations, it can move carts of different sizes, heights and weights.



BIBUS®
SUPPORTING YOUR SUCCESS

BIBUS SK, s.r.o.
Trnavská 31, SK-94 901 Nitra

Tel.: 037/ 7777 911 Email: sale@bibus.sk
Fax.: 037/ 7777 999 http://www.bibus.sk

model	thrust force	motor	battery	max speed	unit weight
MCE400	400 kg	24 V DC IP44 brushless	lithium 24 V	30 m/min	38 kg
MCE400E	1500 kg	24 V DC IP44 brushless	lithium 24 V	30 m/min	38 kg
MCE500	5000 kg	24 V DC IP44 brushless	lithium 24 V	10 m/min	60 kg